



LED Lighted Bumper Kit Installation Instructions - Rustler® 4X4

Covers Part #6793

Kit contents:

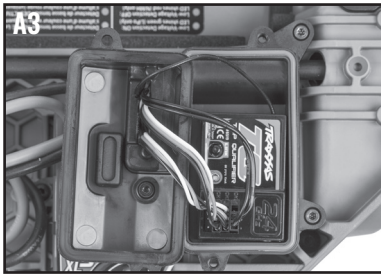
- Front bumper assembly
- Rear bumper assembly
- Power Y-harness
- Zip ties (4)

Tools required:

- 2mm hex wrench
- 2.5mm hex wrench
- Silicone grease

A. POWER WIRE HARNESS INSTALLATION

- Remove the wire clamp by removing the two 2.5x8mm CS (Fig 1).
- Remove the receiver box cover by removing the two 3x10mm CS (Fig 1).
- Route the power Y-harness into the receiver box and plug it into any open channel on the receiver.



- Position the power Y-harness in a wire guide of the receiver box.

- Apply a small bead of silicone grease (part #1647, sold separately) to the wire clamp foam. Install the wire clamp and tighten the two 2.5x8mm cap screws securely.
Note: Make sure not to pinch the wires in the clamp.
- Make sure the blue O-ring seal (Fig 1) is properly seated in the groove in the receiver box so that the cover will not pinch it or damage it in any way.
- Reinstall the cover on the receiver box and tighten the two 3x10mm cap screws securely. Inspect the cover to make sure that the O-ring seal is not visible.

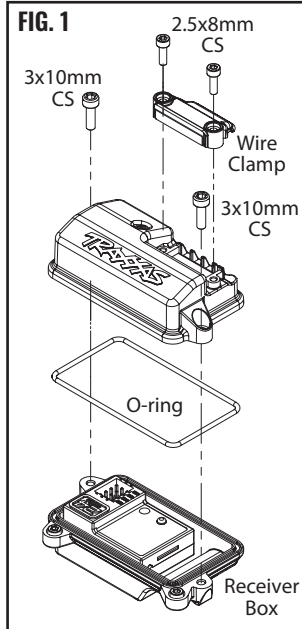
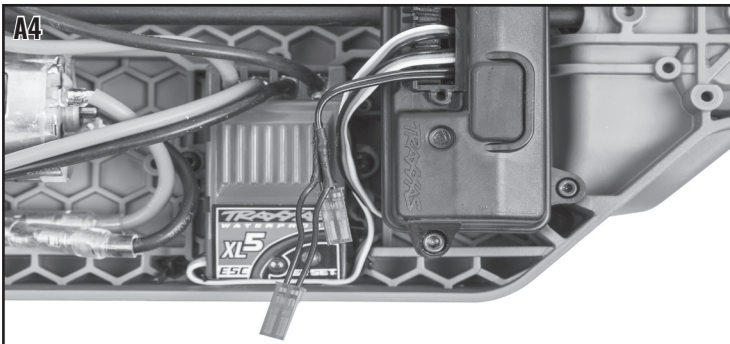
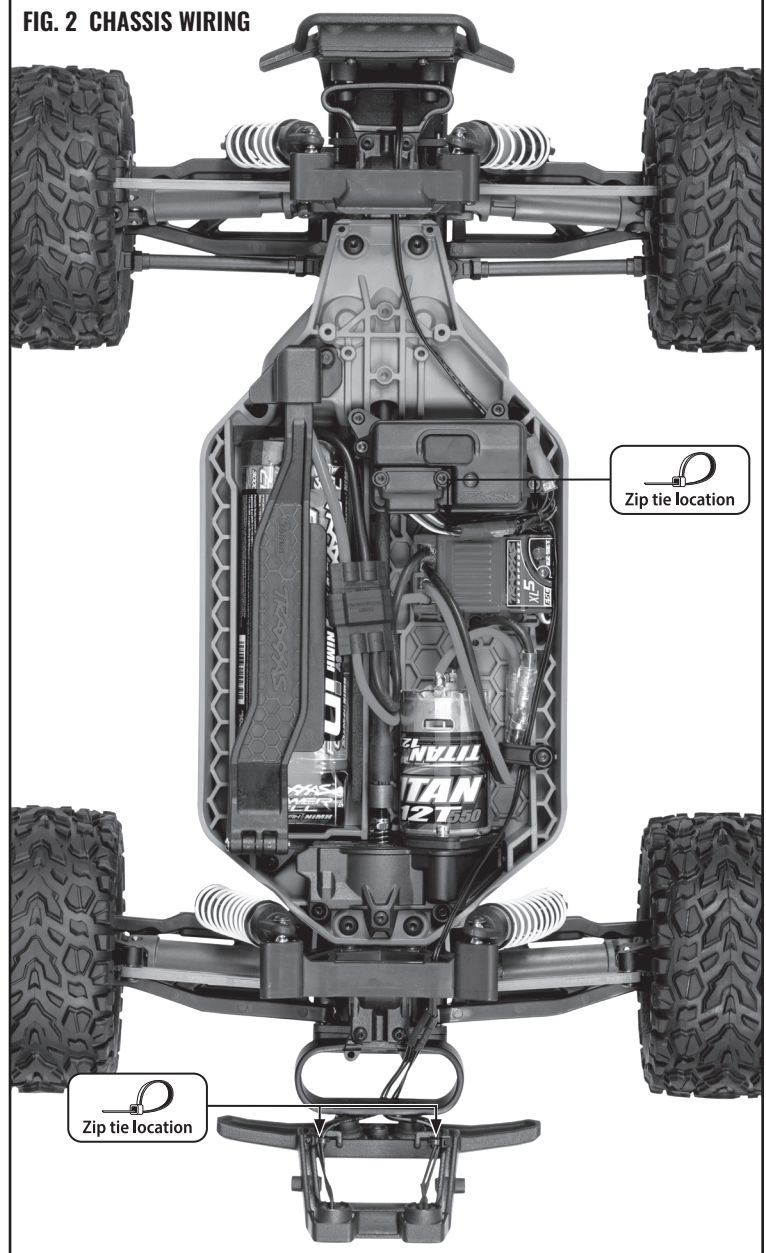
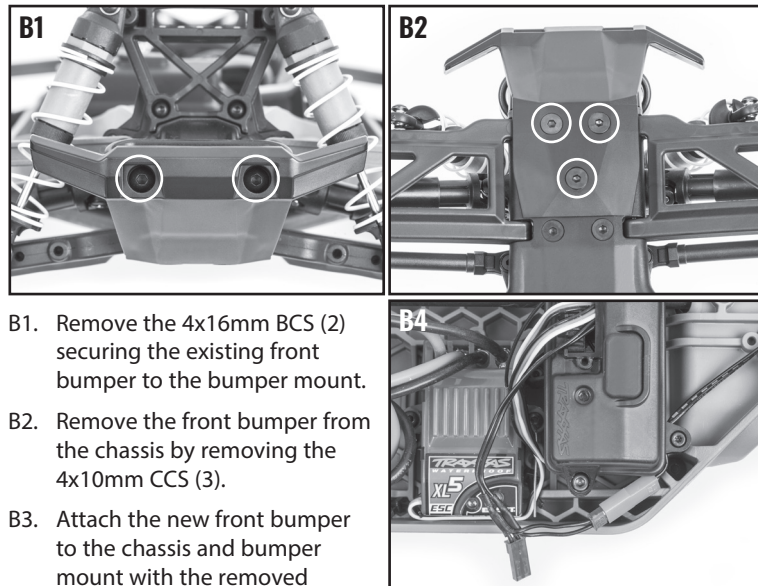


FIG. 2 CHASSIS WIRING



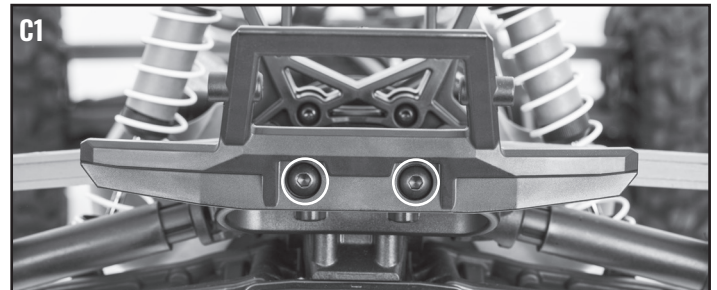
B. FRONT BUMPER AND HEADLIGHTS INSTALLATION



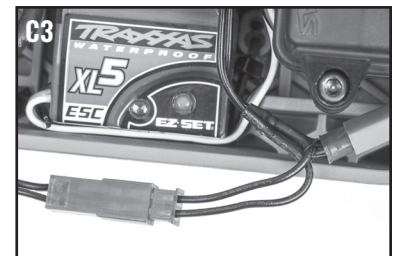
- Remove the 4x16mm BCS (2) securing the existing front bumper to the bumper mount.
- Remove the front bumper from the chassis by removing the 4x10mm CCS (3).
- Attach the new front bumper to the chassis and bumper mount with the removed screws in the same locations.
- Route the wire harness from the front bumper through the bumper mount, along the chassis, and under the receiver box (refer to Fig. 2 Chassis Wiring for more detail). Plug the red male connector from the power Y-harness into the red female connector from the headlights harness.

C. REAR BUMPER AND TAIL LIGHTS INSTALLATION

- Remove the existing rear bumper from the chassis by removing the 4x12mm BCS (2) securing the bumper to the bumper mount.



- Attach the new rear bumper to the bumper mount with the removed screws in the same locations.
- Route the wire harness from the rear bumper guard along the chassis toward the receiver box (refer to Fig. 2 Chassis Wiring for more detail). Plug the red male connector from the power Y-harness into the red female connector from the tail lights harness.
- Use the included zip ties (4) to secure the harness to the chassis (refer to Fig. 2 Chassis Wiring for more detail).



If you have questions or need technical assistance, call Traxxas at
1-888-TRAXXAS
(1-888-872-9927) (U.S. residents only)